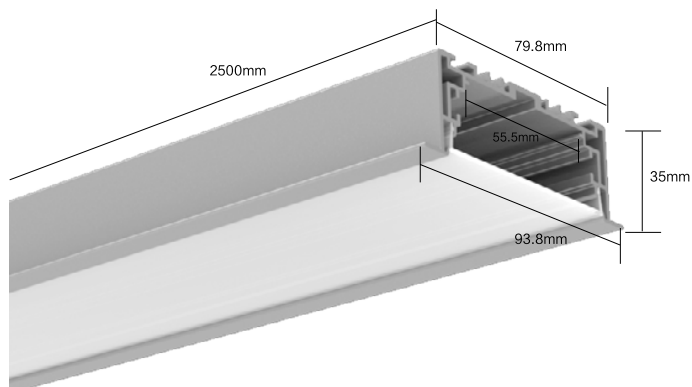




profile system FOZAR



Profile 94x35

code 42000054
94x35x2500mm
0included profile/diffuser/end cap x2

Material	Aluminium 6063
Installation	Suspended
Coating	Powder <input type="checkbox"/> <input type="checkbox"/> <input checked="" type="checkbox"/>

Accessories

Recessed buckle (N-shaped)	code 42000057 196x84x39.5mm	
Recessed buckle (Butterfly clips)	code 42000058 46x35x26mm	
End cap x2	code 42000055 94x35x18mm	
Diffuser x1	code 42000056 2500mm	
180° extender	code 42000059 55x10x2mm	
L - type light corner	code 42000060 157x157x35mm	
L - type light corner (inner)	code 42000061 150x150x35mm	
L - type light corner (exterior)	code 42000062 150x150x94mm	
T - type light corner	code 42000063 200x157x35mm	
X - type light corner	code 42000064 200x200x35mm	

Lighting Source and Power Supply

Flexible strip 2500x15x1.7mm	code 42000079 3000K 30W, 3310lm/meter	code 42000106 4000K 30W, 3900lm/meter	
Rigid modular 249/299/499x17x5.6mm	code 42000075 3000K 30W, 3310lm/meter	code 42000102 4000K 30W, 3900lm/meter	
100W power supply 390x38x28.5mm	code 42000084		

LED CE RoHS IP20

